

TREATMENT OF COPPER ORES BY THE MANHES PROCESS.

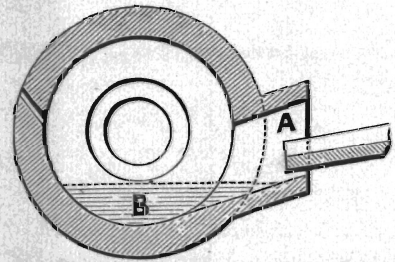


Fig. 1.

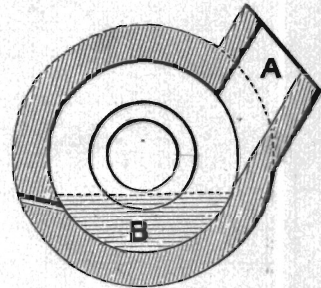


Fig. 3.

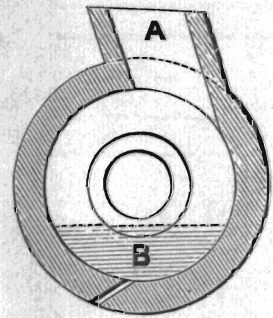


Fig. 2.

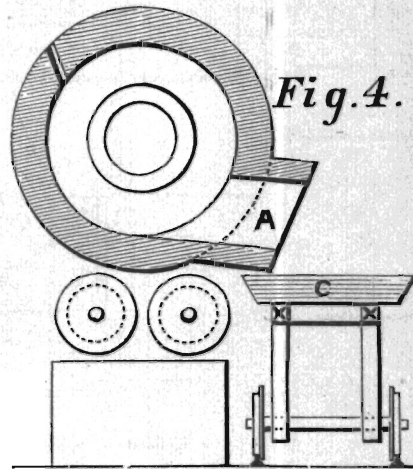


Fig. 4.

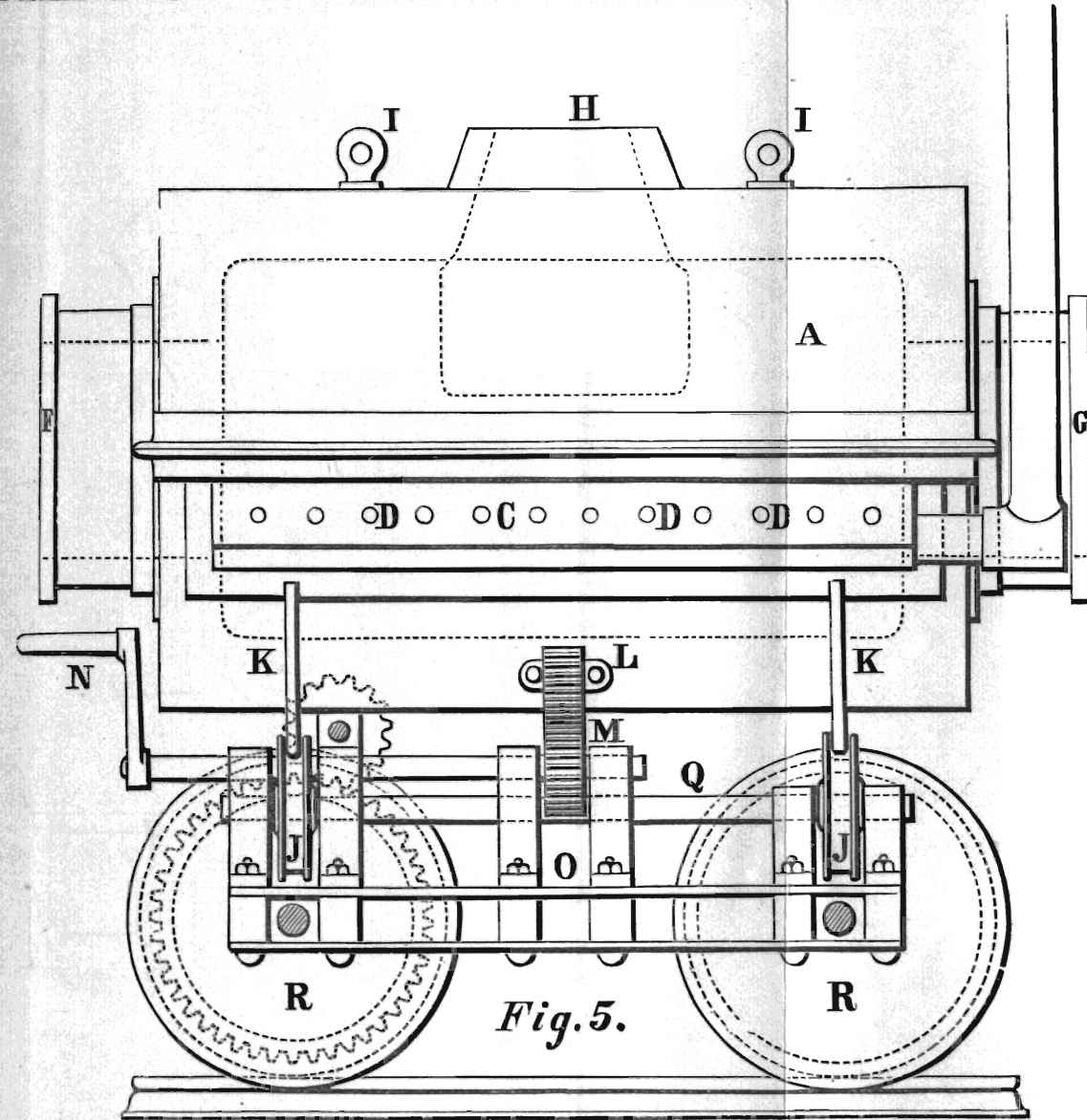


Fig. 5.

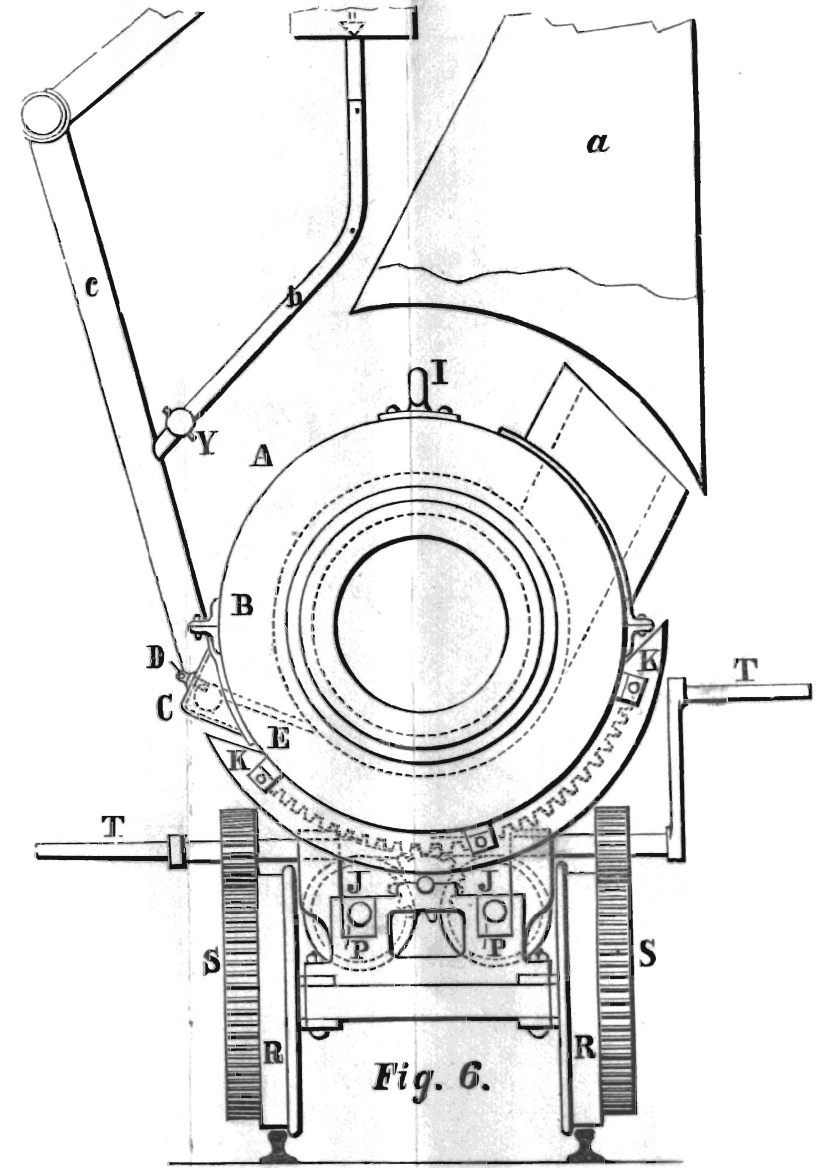


Fig. 6.