

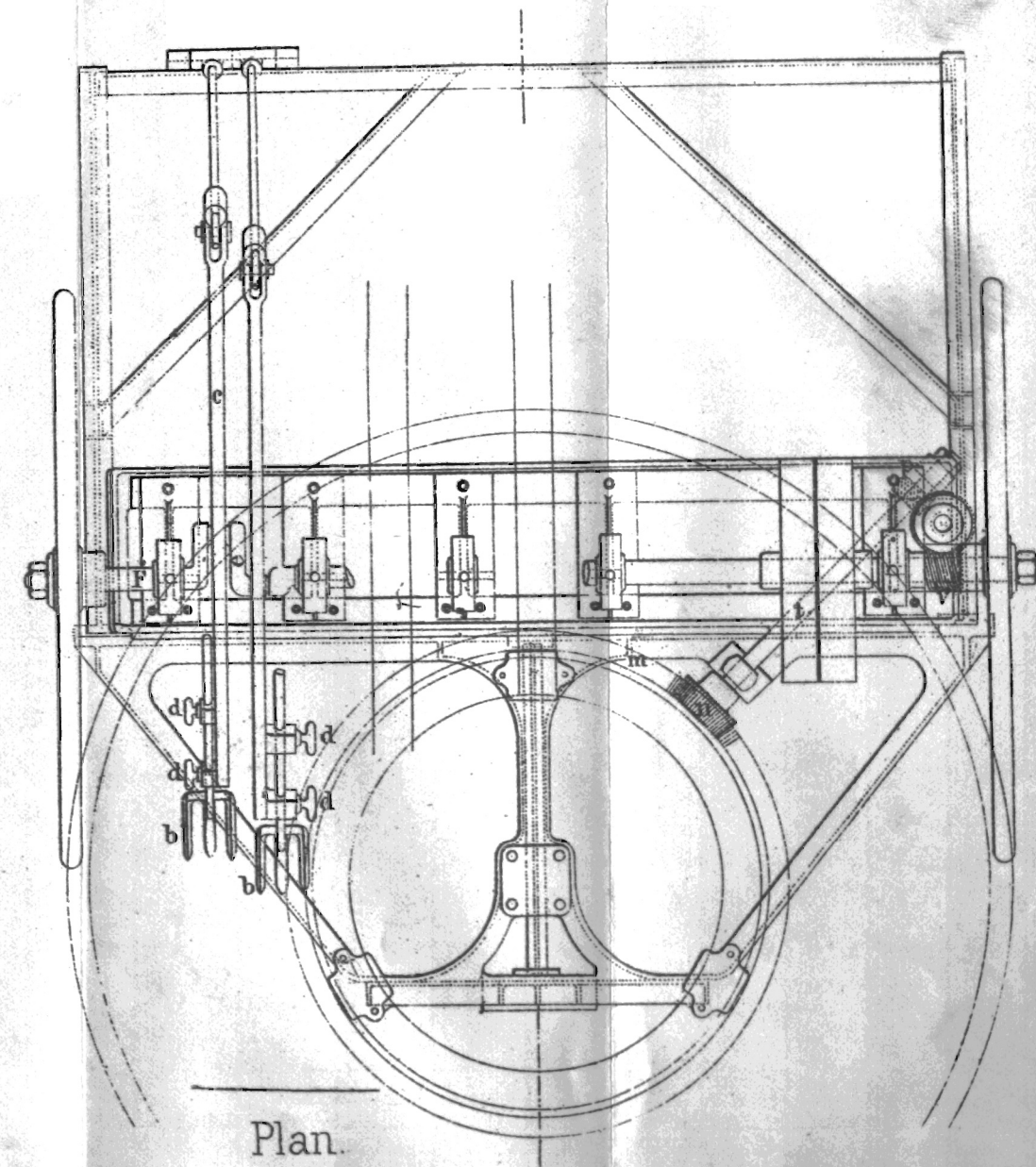
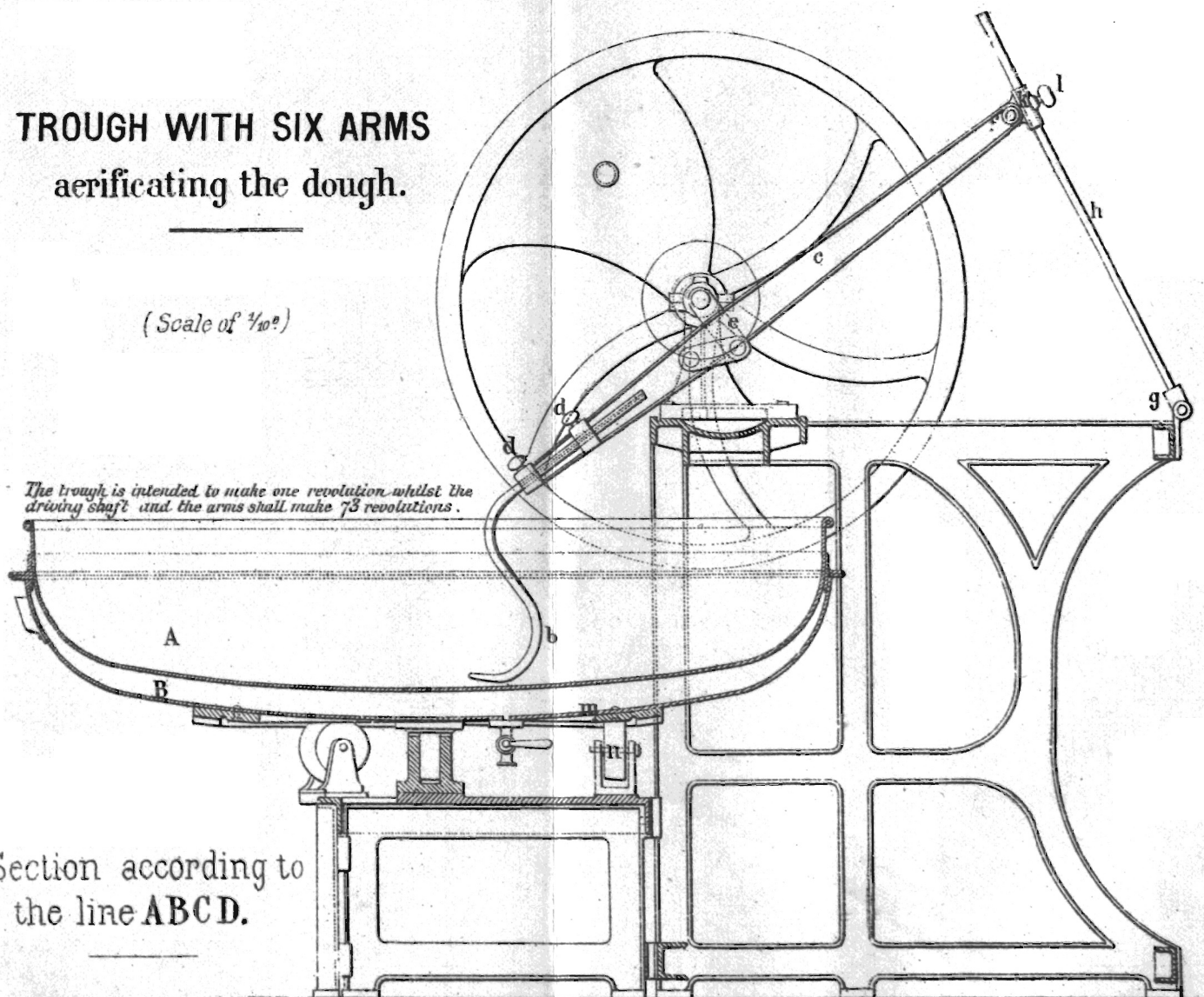
Elevation.

TROUGH WITH SIX ARMS
aerificating the dough.

(Scale of 1/10th)

The trough is intended to make one revolution whilst the driving shaft and the arms shall make 73 revolutions.

Section according to the line ABCD.



Plan.