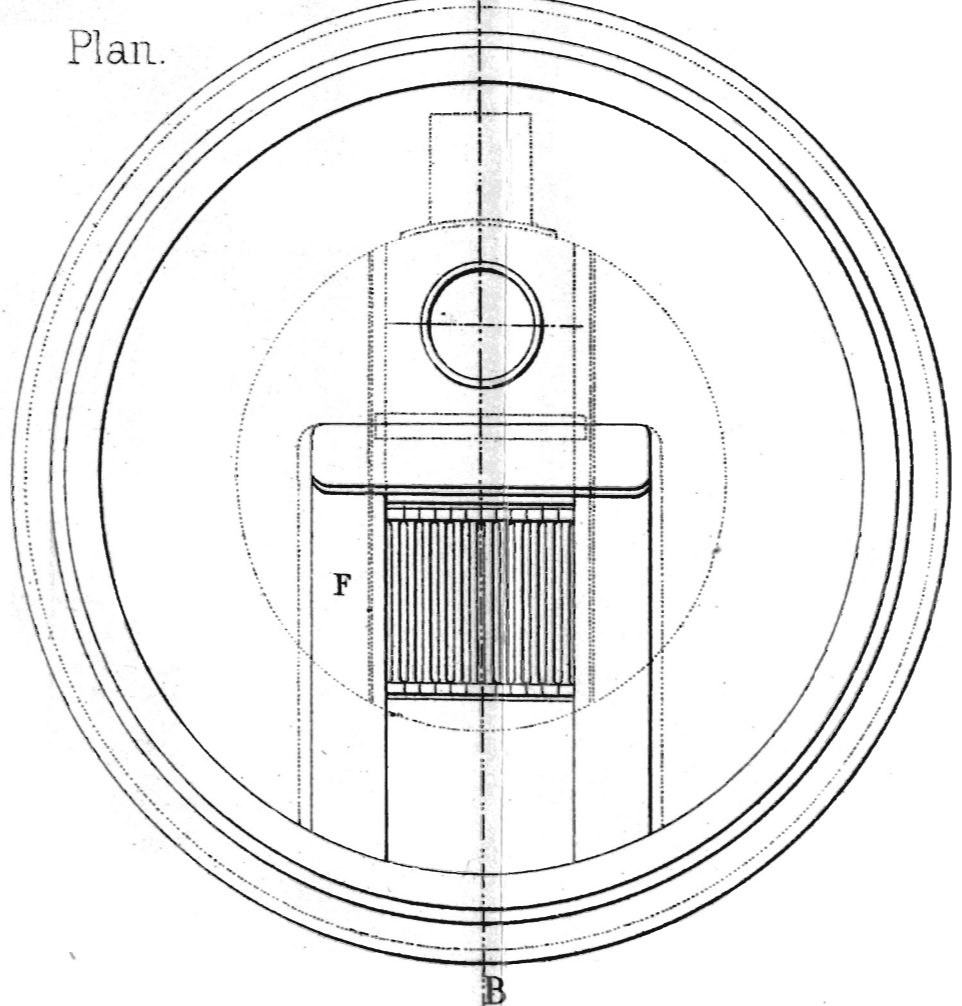
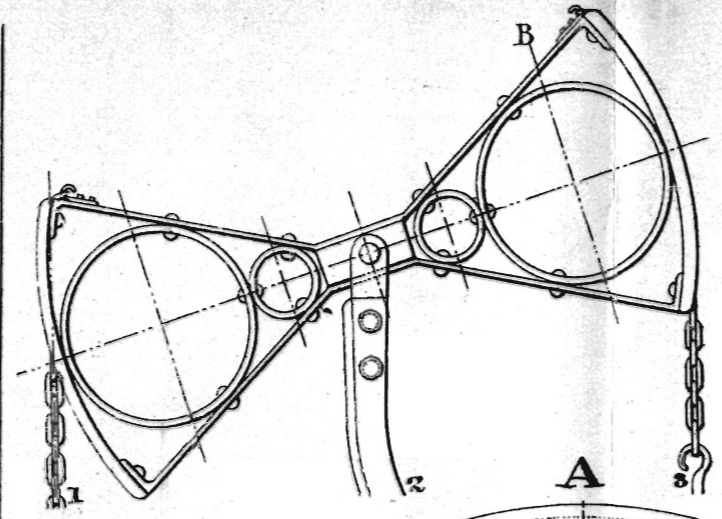
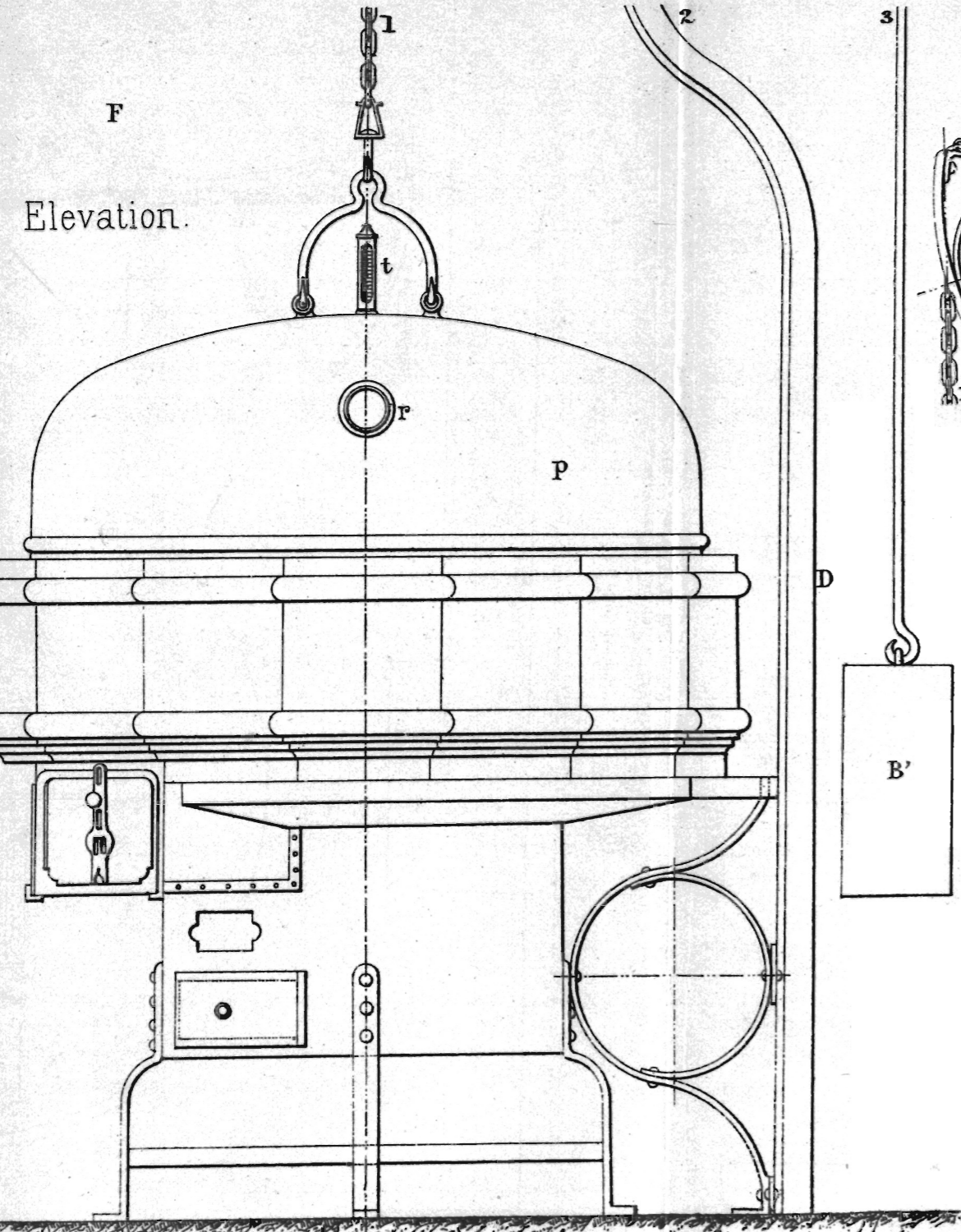


MANUFACTURE OF BREAD BY THE DATHIS PROCESS.

OVEN OF 1 MÈTRE

(Scale of 1/10.)



Section

according AB.

