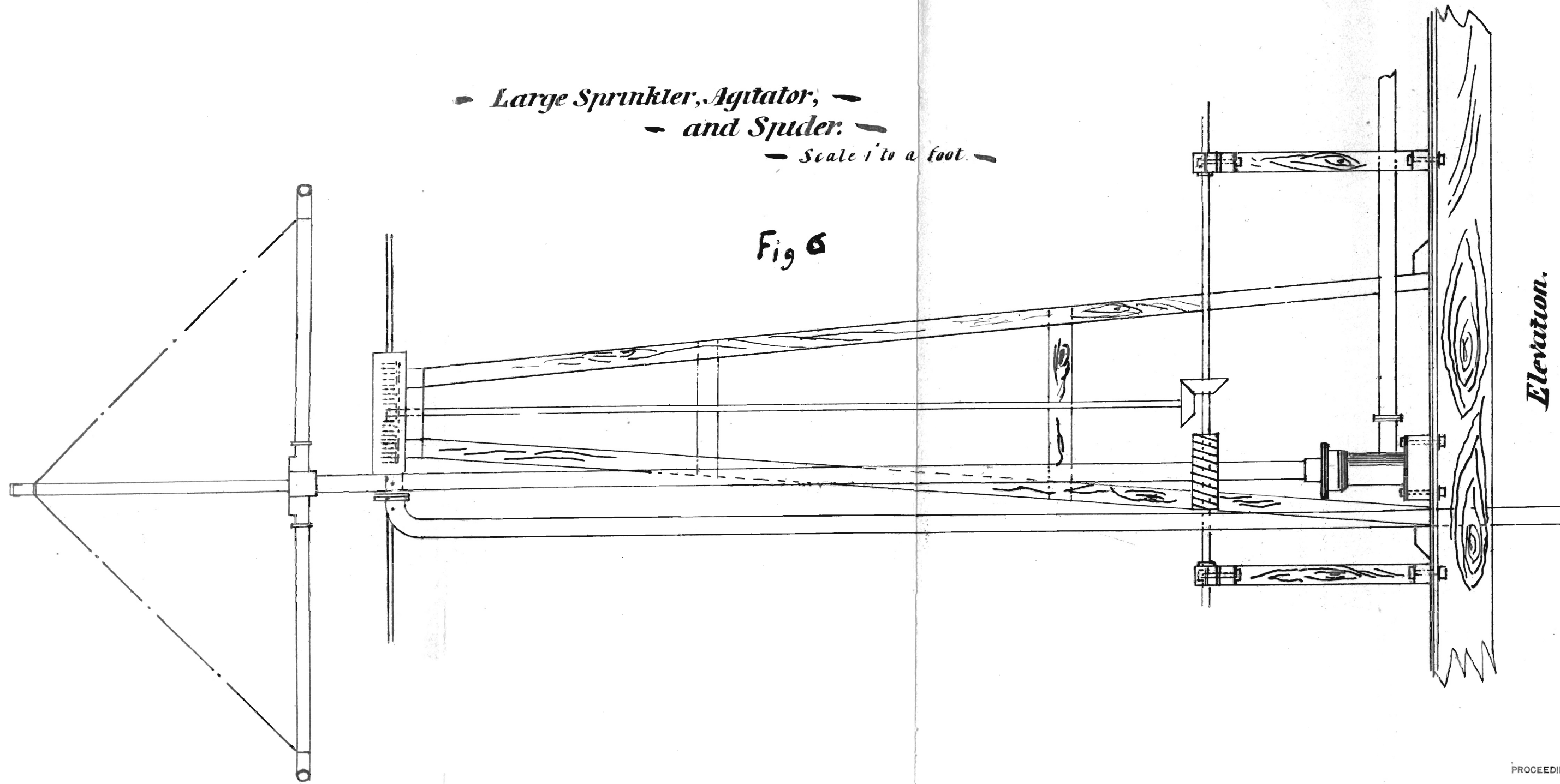


Large Sprinkler, Agitator,  
and Spuder.  
Scale 1 to a foot.

Fig 6



Elevation.

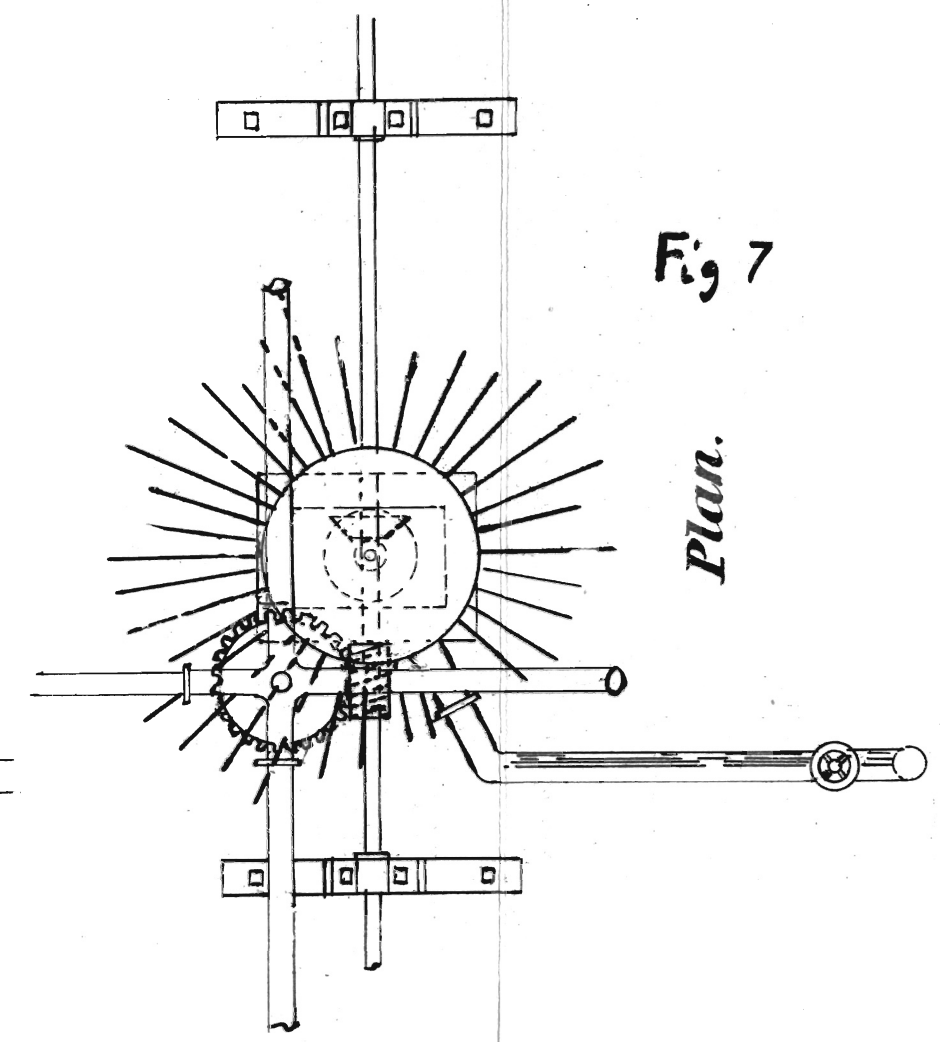
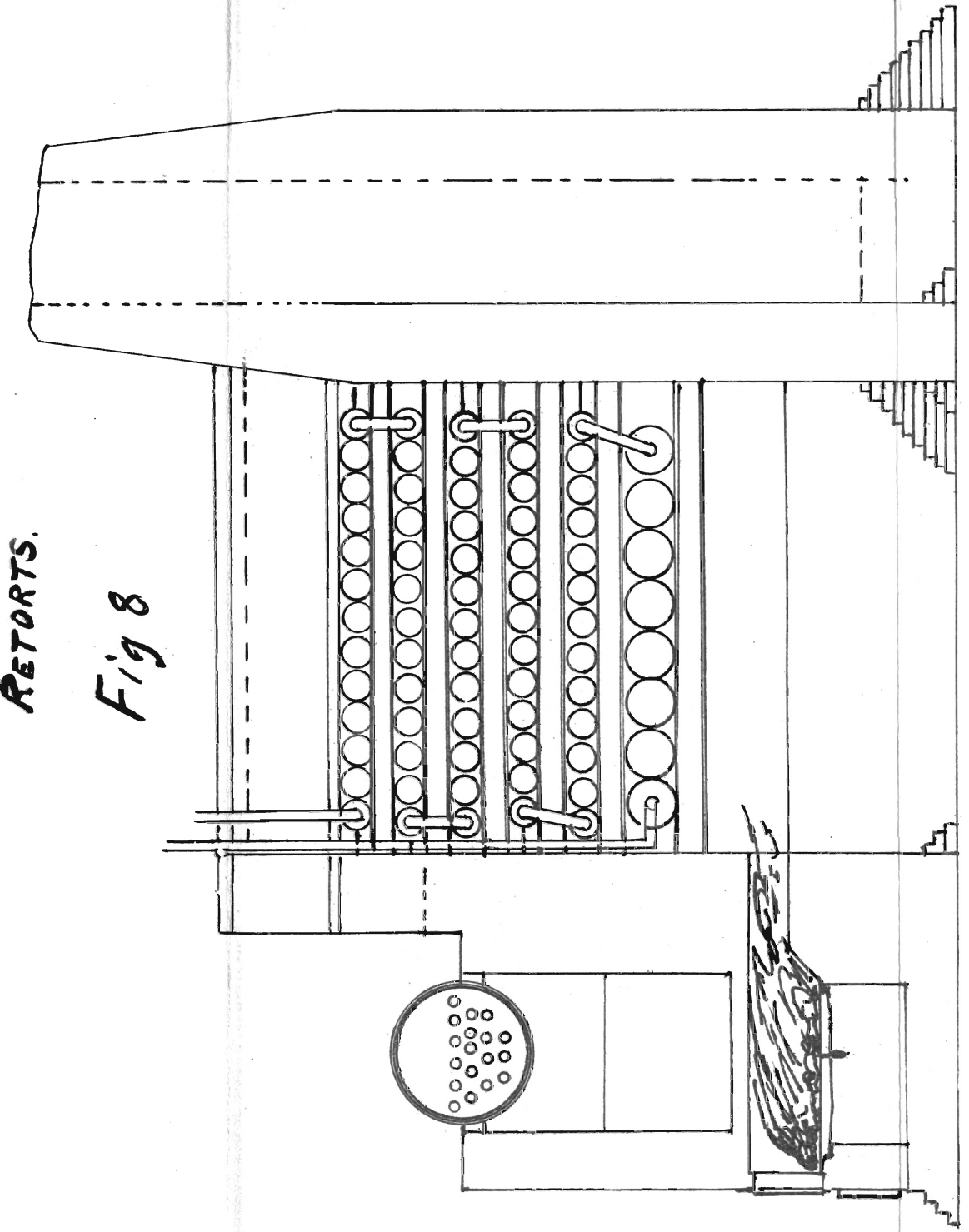


Fig 7

Plan.

RETORTS.

Fig 8



SECTION.

- Fig 9 -

