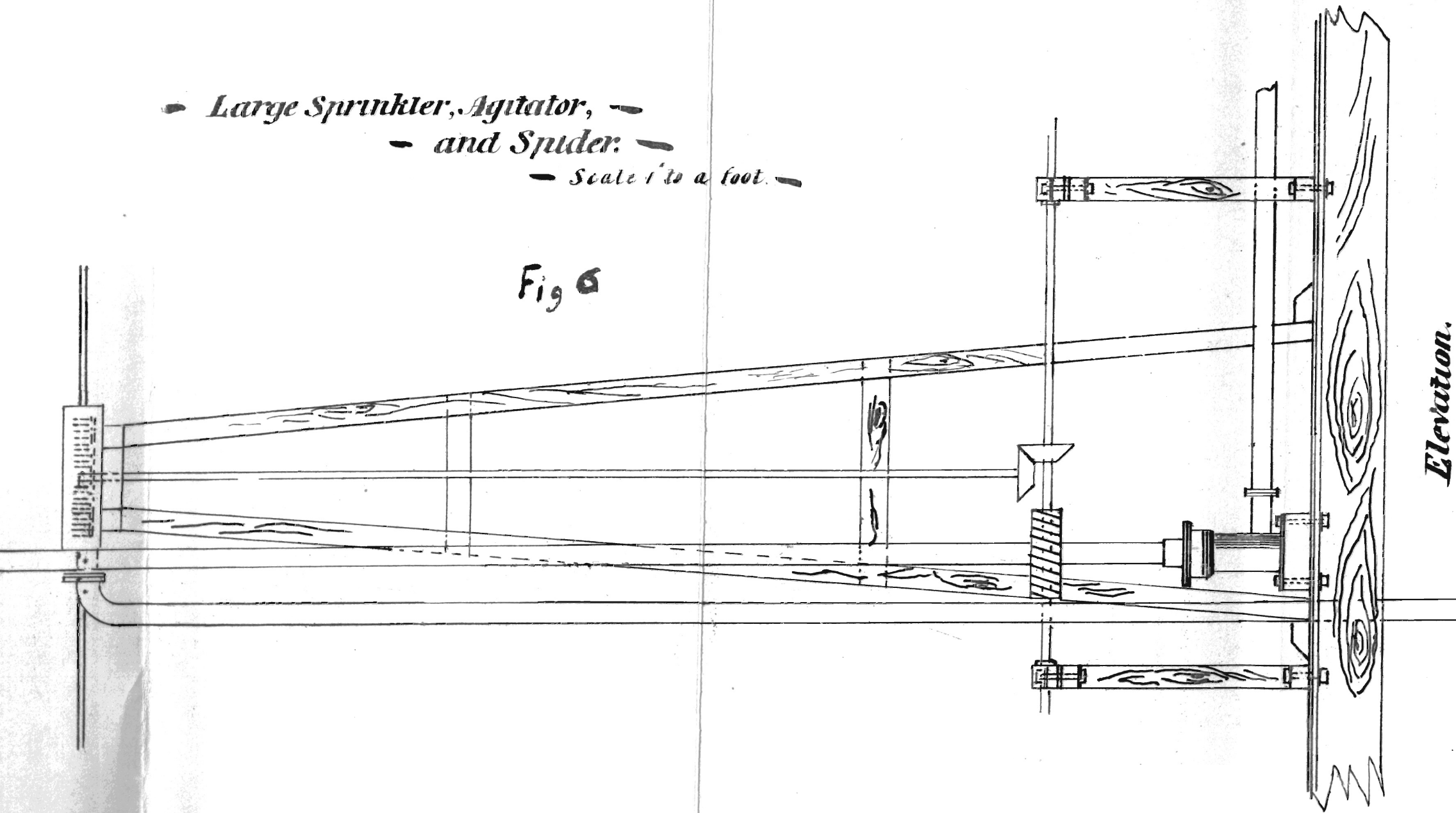


Large Sprinkler, Agitator,
and Spuder.
Scale 1 to a foot.

Fig 6



Elevation.

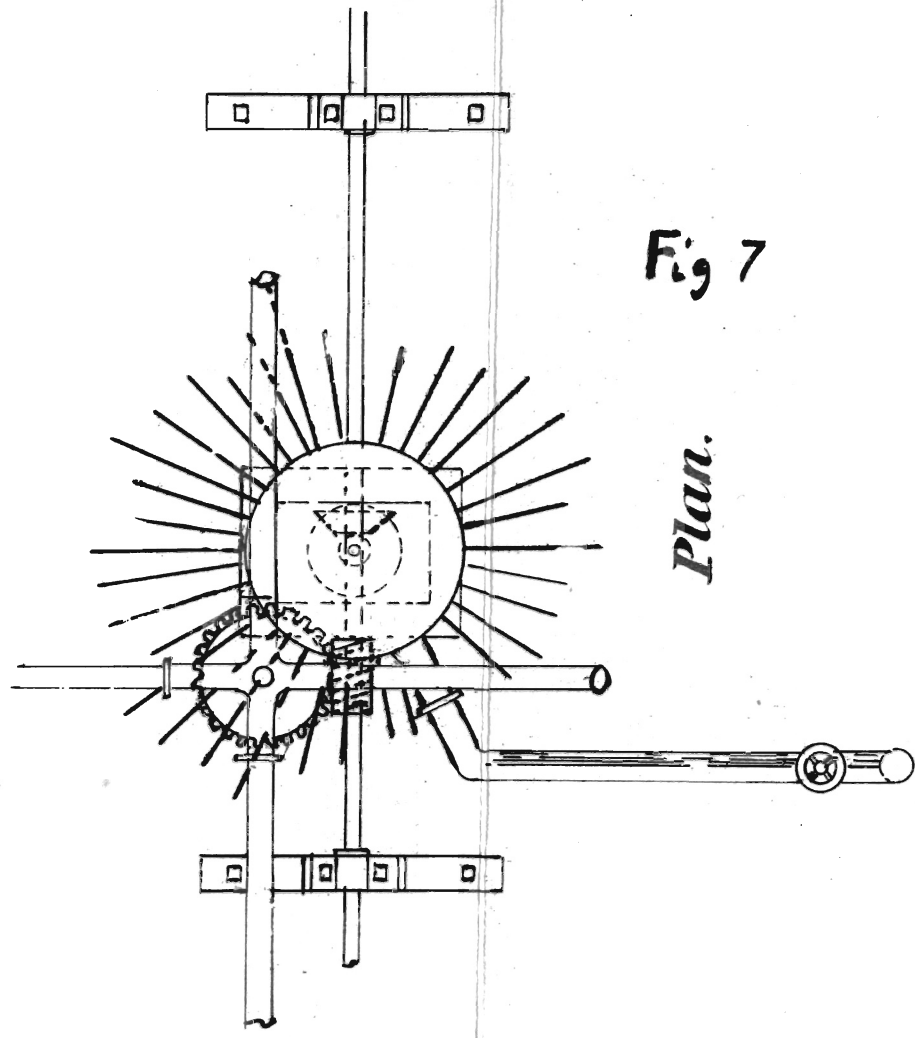
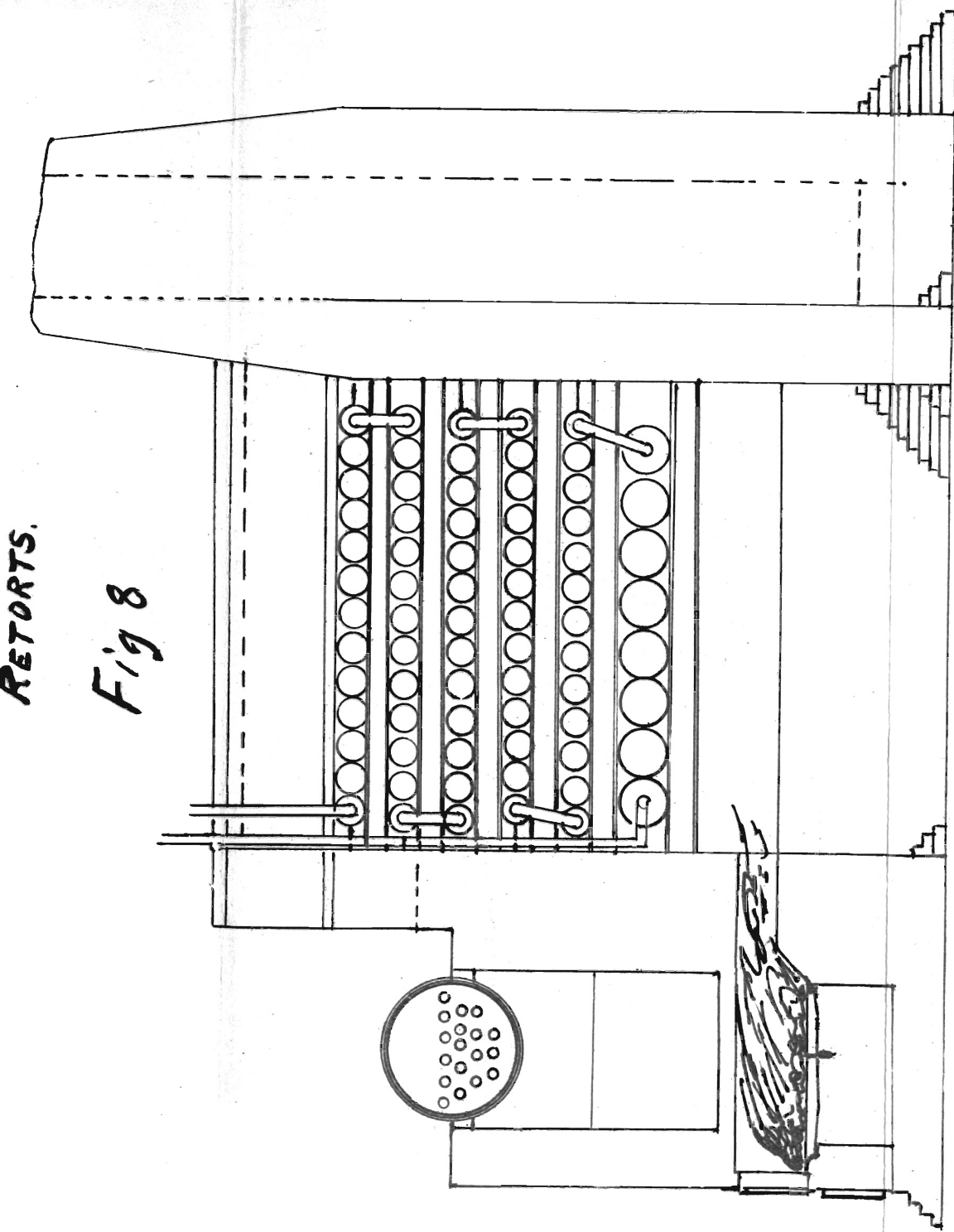


Fig 7

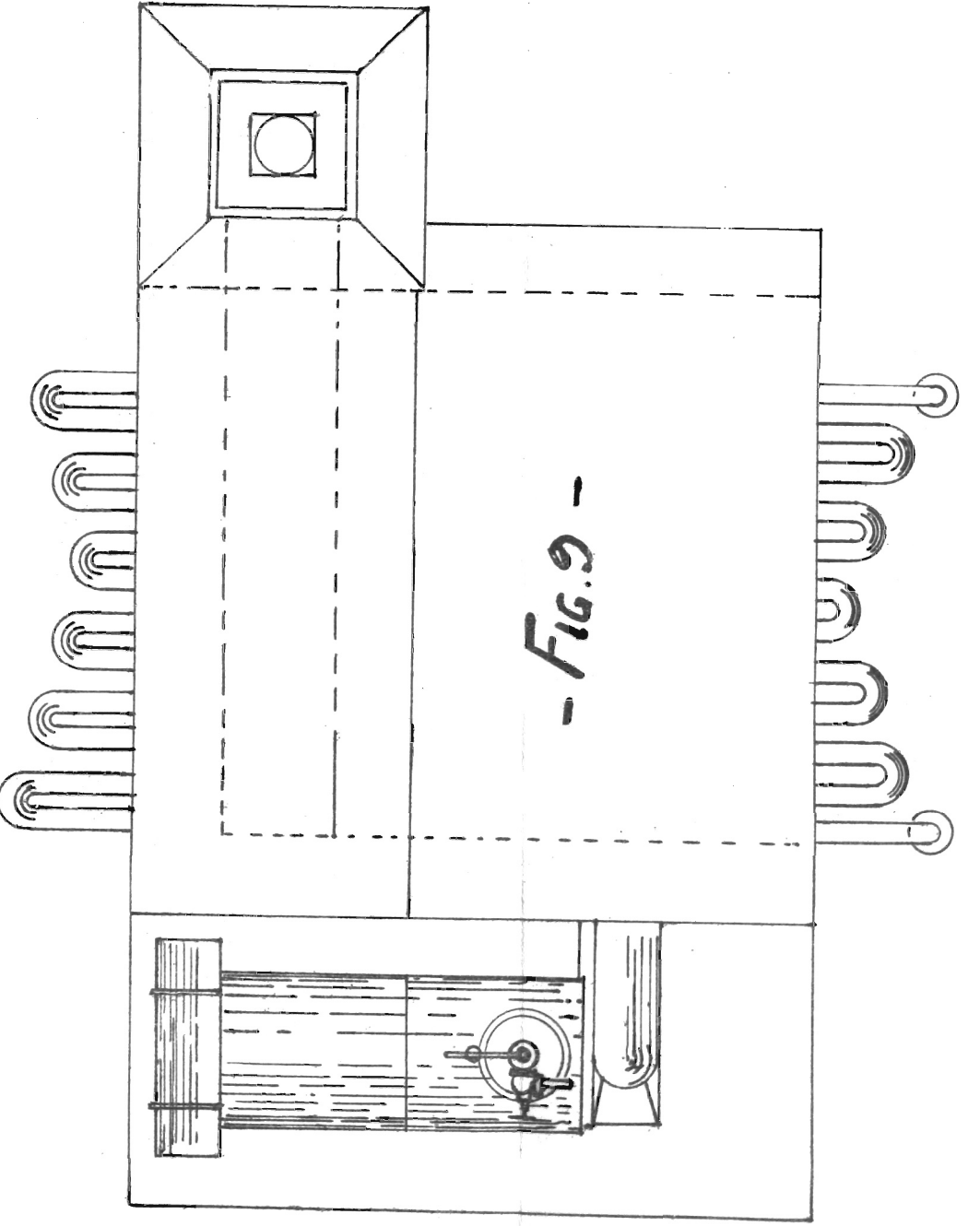
Plan.

RETORTS.

Fig 8



SECTION.



- FIG. 9 -

PLAN.