

COMPRESSED AIR HEATER

FIG. 2

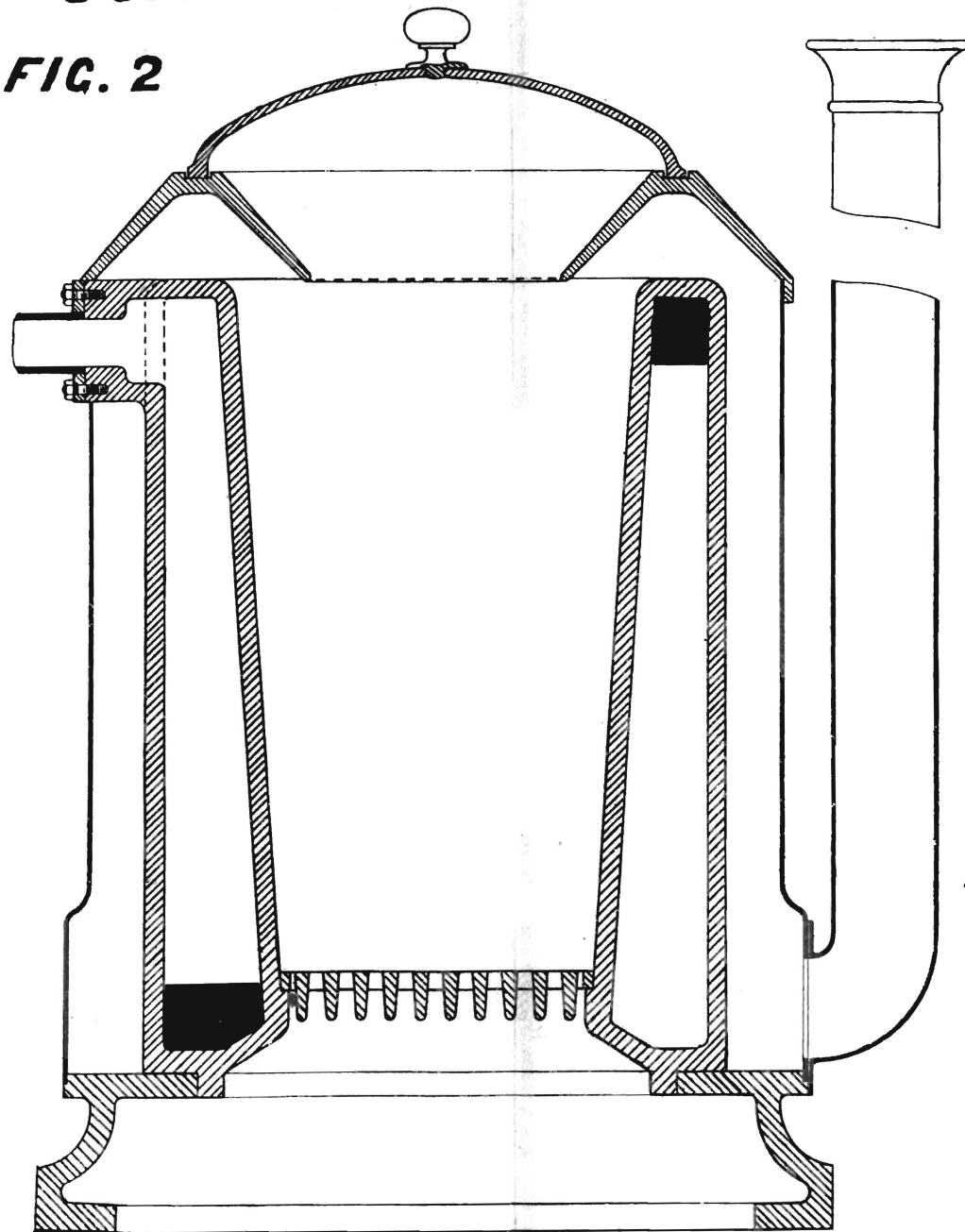
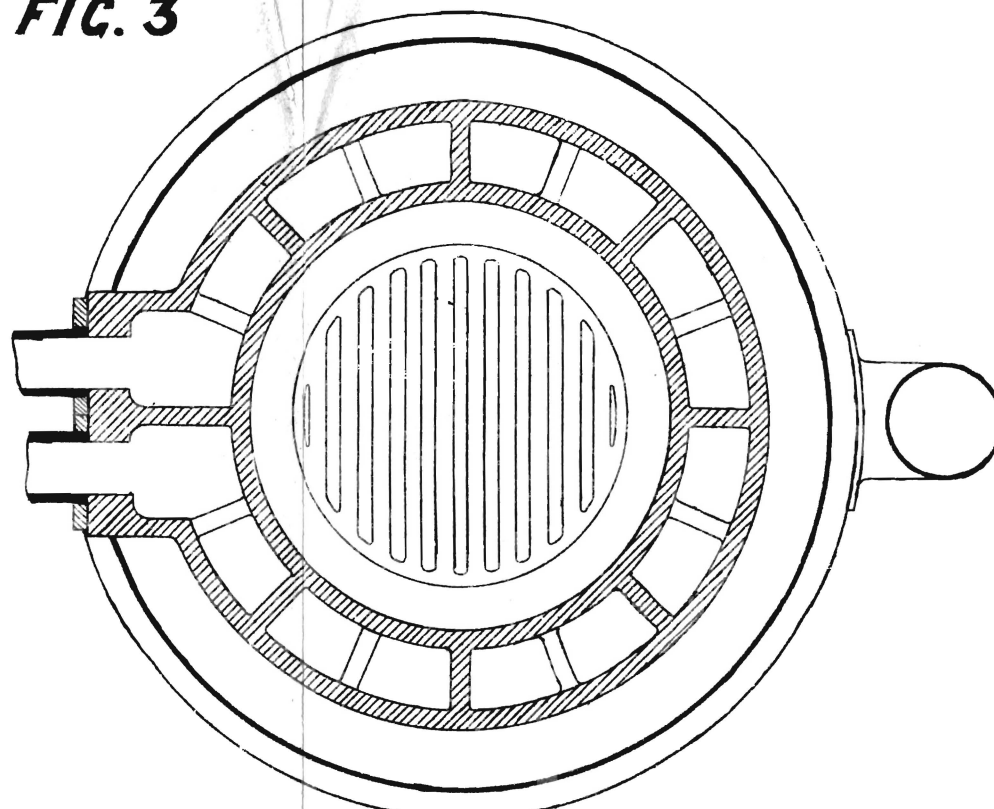
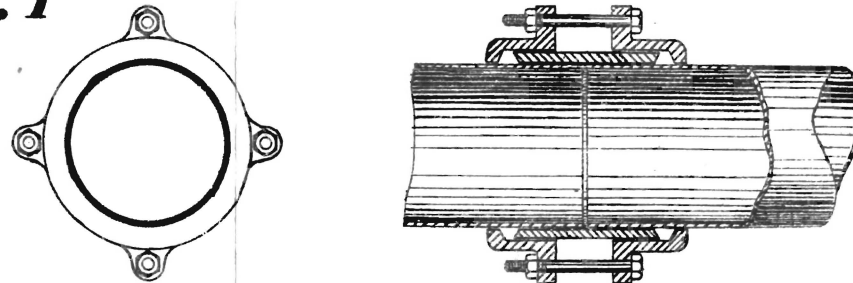


FIG. 3



PLAN

FIG. 1



**JOINT ON COMPRESSED AIR MAINS
PARIS**