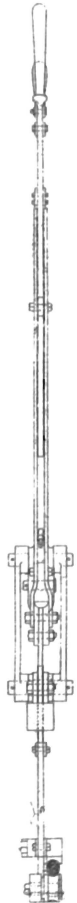
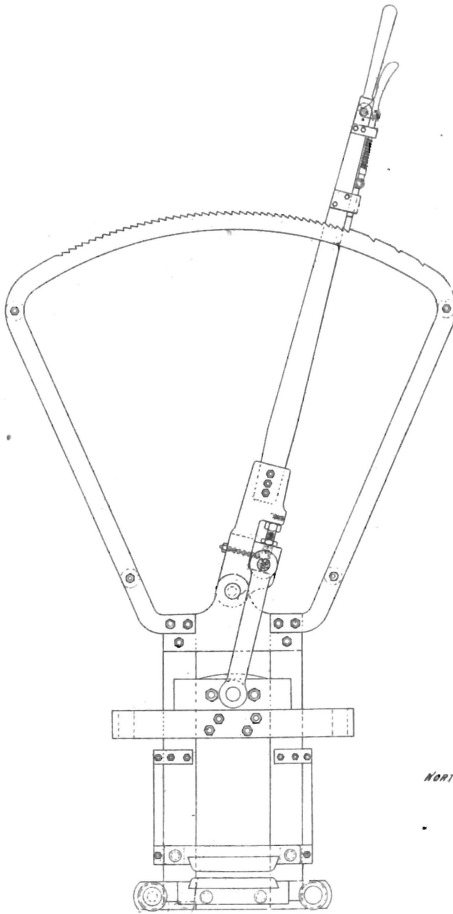


CABLE TRACTION.

Plate X.



*GRIPPER*  
FOR  
NORTH-SHORE CABLE TRAILWAY.