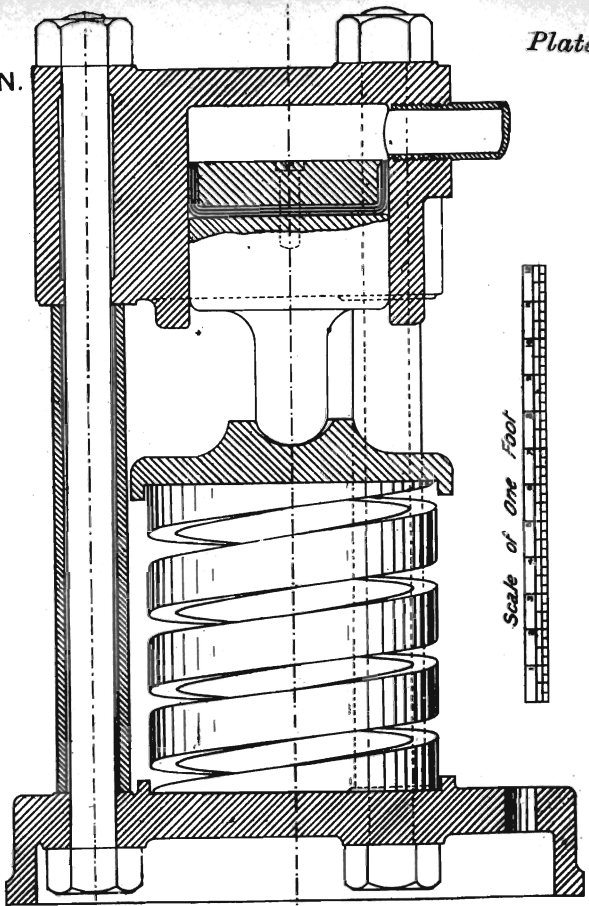
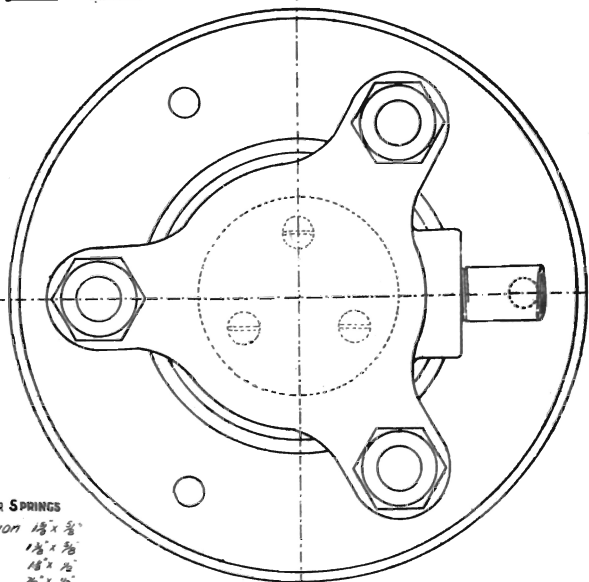


**LIFT
CONSTRUCTION.**

**HYDRAULIC CUSHION
FOR
PASSENGER LIFT**



Scale of One Foot



NEST OF FOUR ANNULAR SPRINGS
 1st. (outer) Spring Section $1\frac{1}{2} \times \frac{3}{8}$ "
 2nd. " " " $1\frac{1}{2} \times \frac{3}{16}$ "
 3rd. " " " $1\frac{1}{2} \times \frac{1}{4}$ "
 4th. (inner) " " " $\frac{3}{4} \times \frac{1}{2}$ "