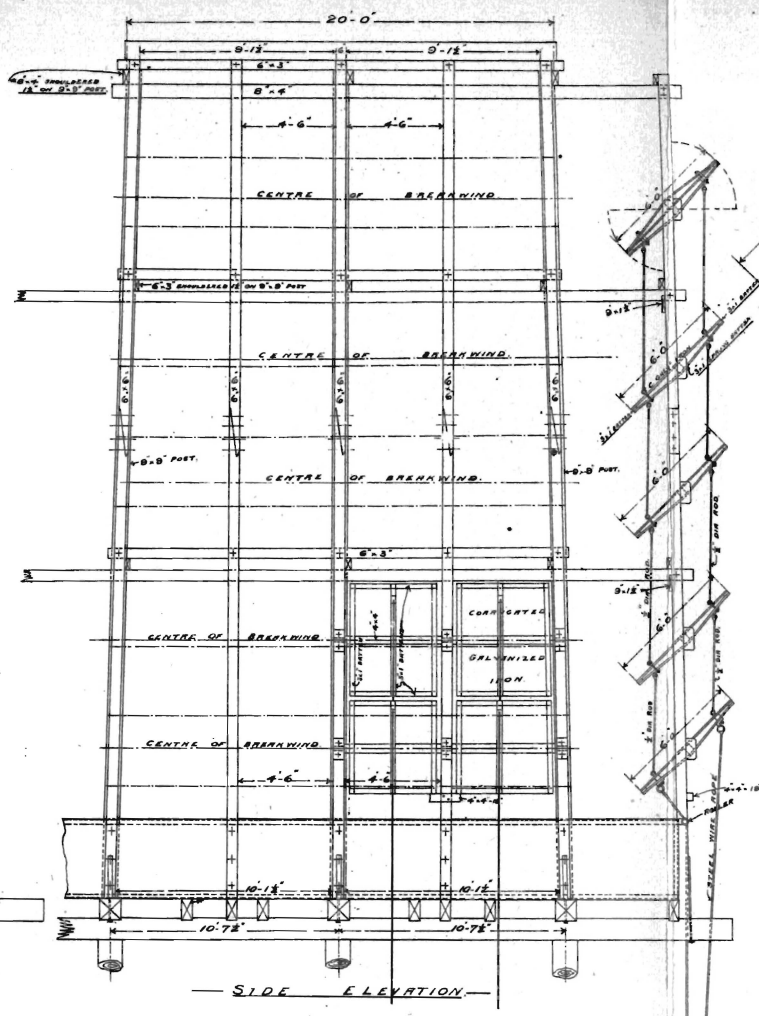
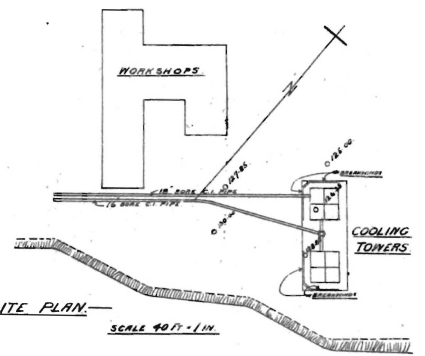


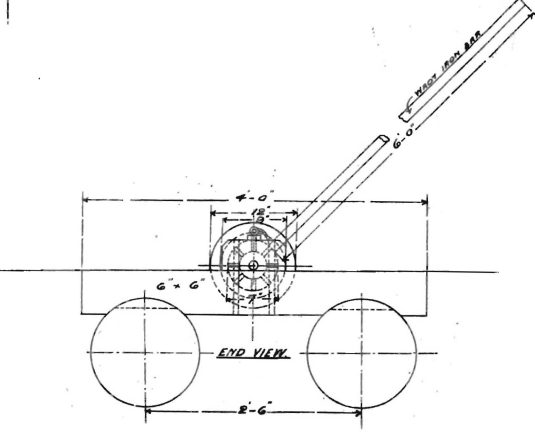
END ELEVATION.



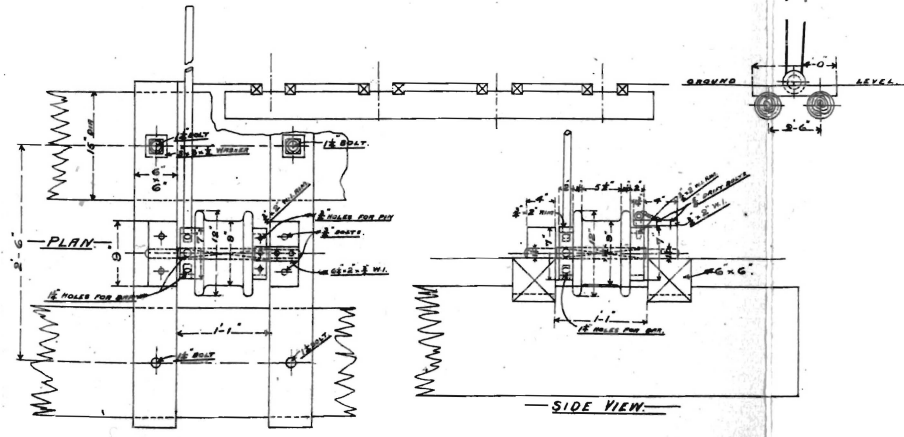
SIDE ELEVATION.



SITE PLAN. SCALE 40 FT. = 1 IN.



END VIEW.



SIDE VIEW.

**BREAKWINDS FOR WATER COOLING TOWER.**

CHILDERS MILL, ISIS, QSLD.

C.S.R.C. LTD.

DATE JAN 10<sup>th</sup> 95.