

FIG. I

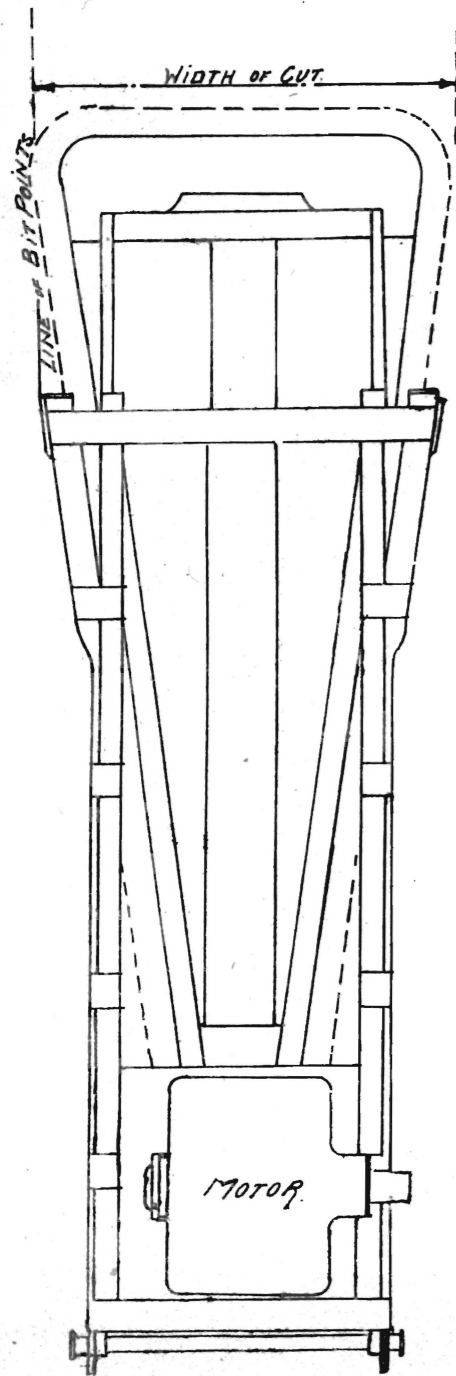
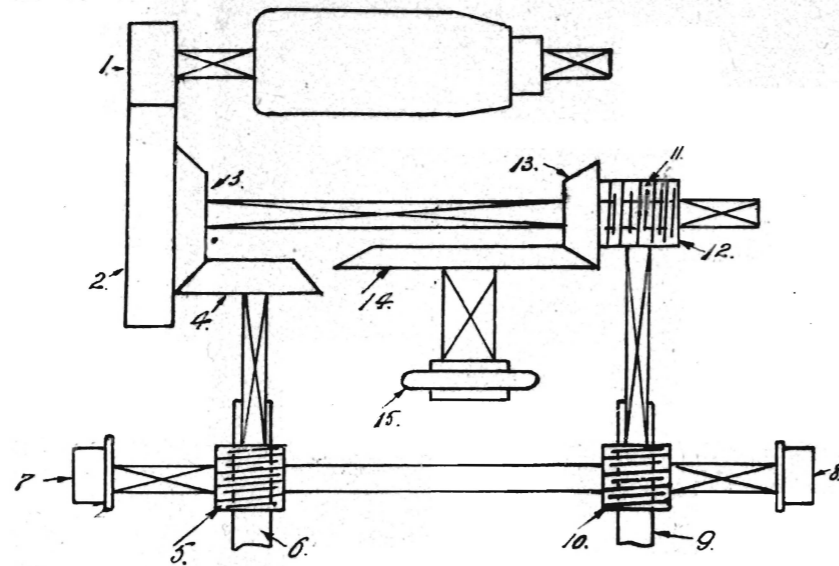


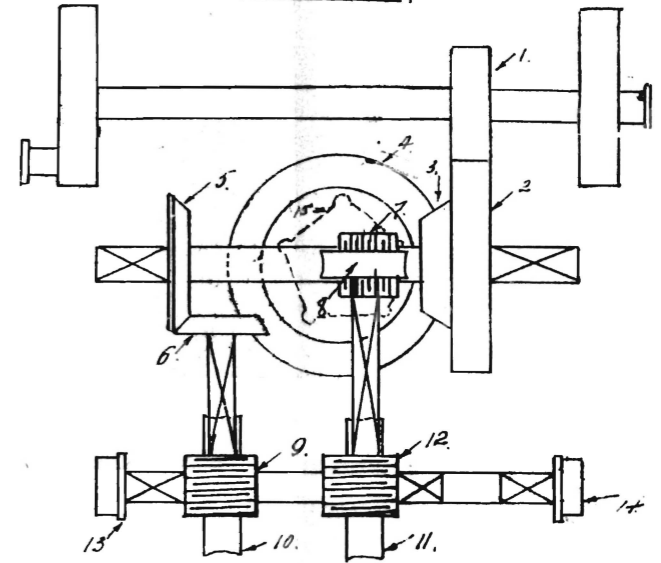
FIG. II



1.	ARMATURE PINION.
2.	SPUR GEAR ON BOTTOM SHAFT.
3.	BEVEL GEAR ON BOTTOM SHAFT FOR PULL-BACK.
4.	BEVEL GEAR ON PULL-BACK SHAFT.
5.	WORM ON PULL-BACK SHAFT.
6.	WORM WHEEL FOR PULL-BACK ON CLUTCH SHAFT.
7.	SPUR PINION FOR RACK.
8.	SPUR PINION FOR RACK.
9.	WORM WHEEL ON CLUTCH SHAFT FOR FEED.
10.	WORM ON FEED SHAFT FOR FEED.
11.	WORM WHEEL FOR FEED SHAFT.
12.	WORM ON BOTTOM SHAFT.
13.	BEVEL SPUR ON BOTTOM SHAFT FOR DRIVING SPROCKET.
14.	BEVEL GEAR ON VERTICAL DRIVING SHAFT.
15.	DRIVING SPROCKETS.

PLATE IV.

FIG. III



1.	PINION.
2.	GEAR.
3.	BEVEL GEAR
4.	BEVEL GEAR
5.	BEVEL GEAR.
6.	BEVEL GEAR.
7.	WORM.
8.	WORM WHEEL
9.	WORM.
10.	WORM WHEEL.
11.	WORM WHEEL
12.	WORM.
13.	SPUR PINION.
14.	SPUR PINION.
15.	SPROCKET.