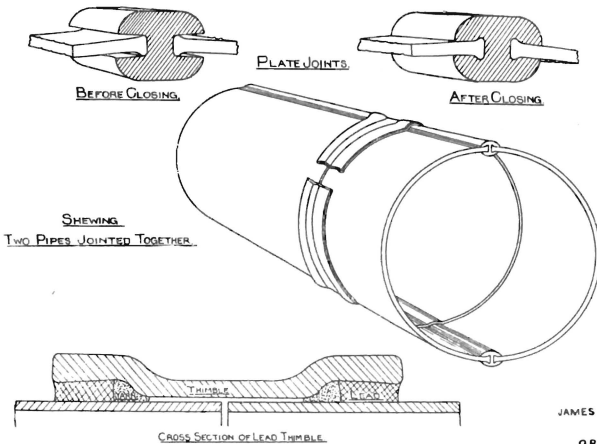


Fig. 1.

MEPHAN-FERGUSONS  
PATENT RIVETLESS OR LOCKING BAR STEEL PIPE.



JAMES SIMPSON & COMPANY L<sup>TD</sup>  
ENGINE WORKS,  
GROSVENOR ROAD,  
LONDON

Fig. 2.