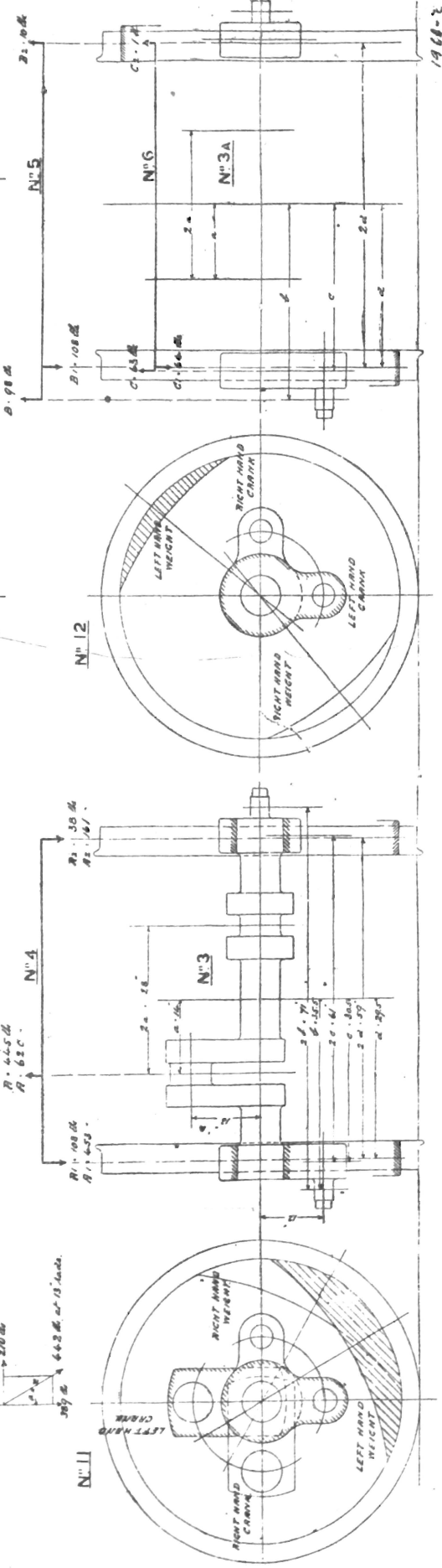
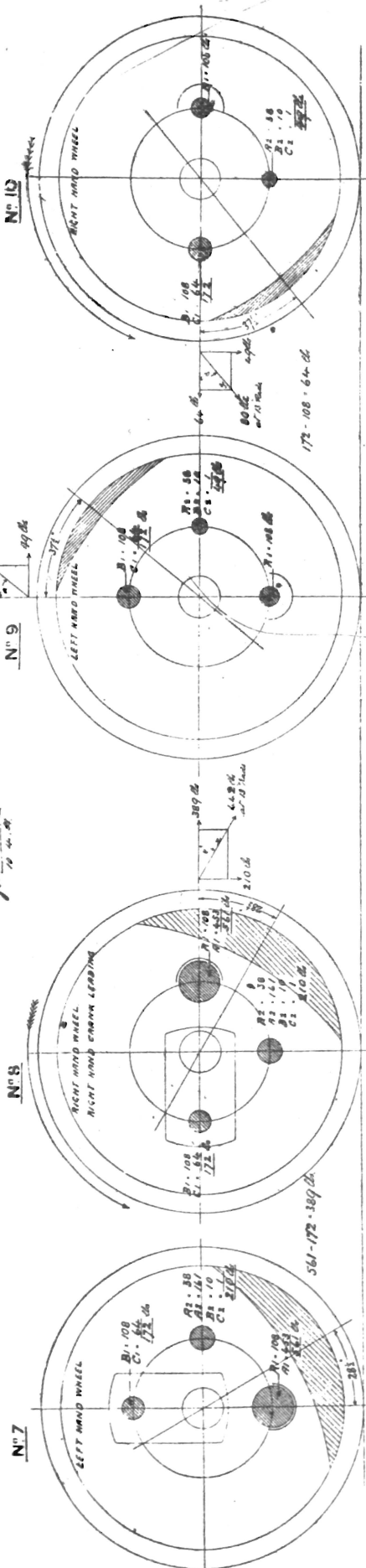


Diagrams for Balancing Loco. Engines

*Handwritten signature*



1911-12